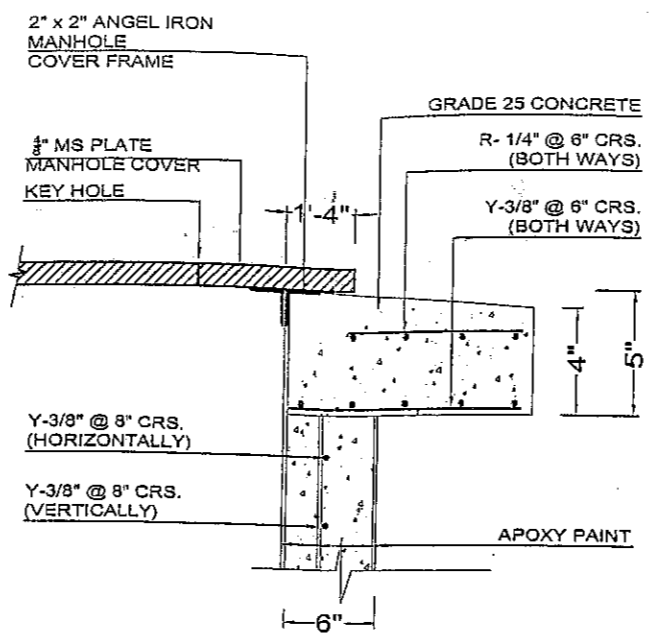
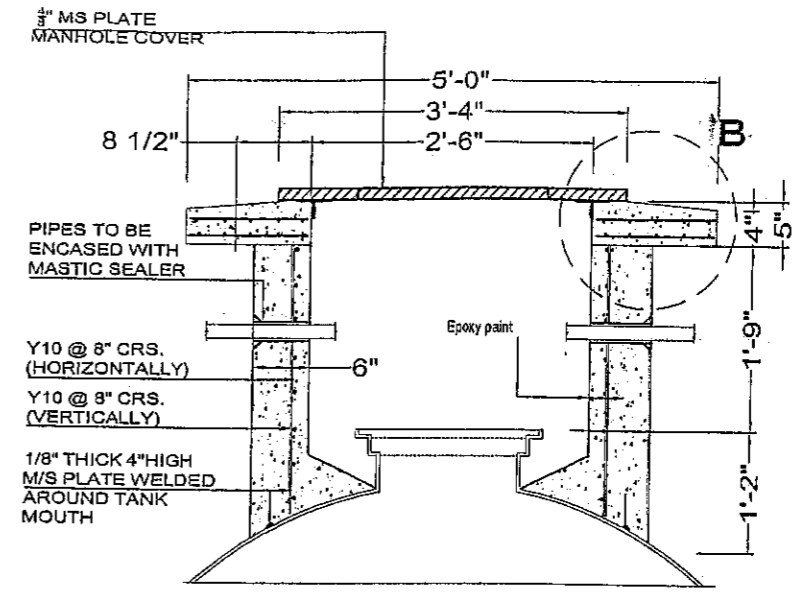


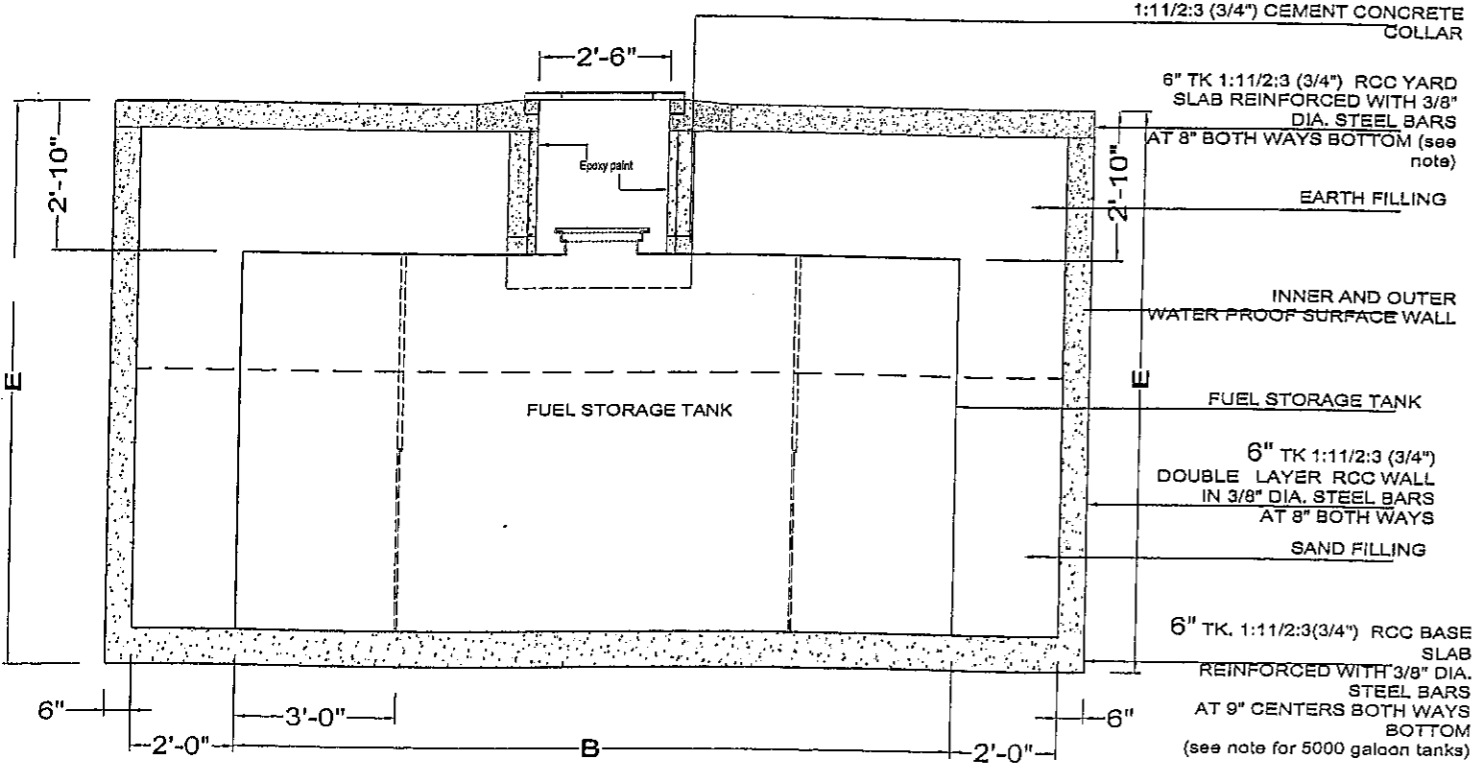
PLAN



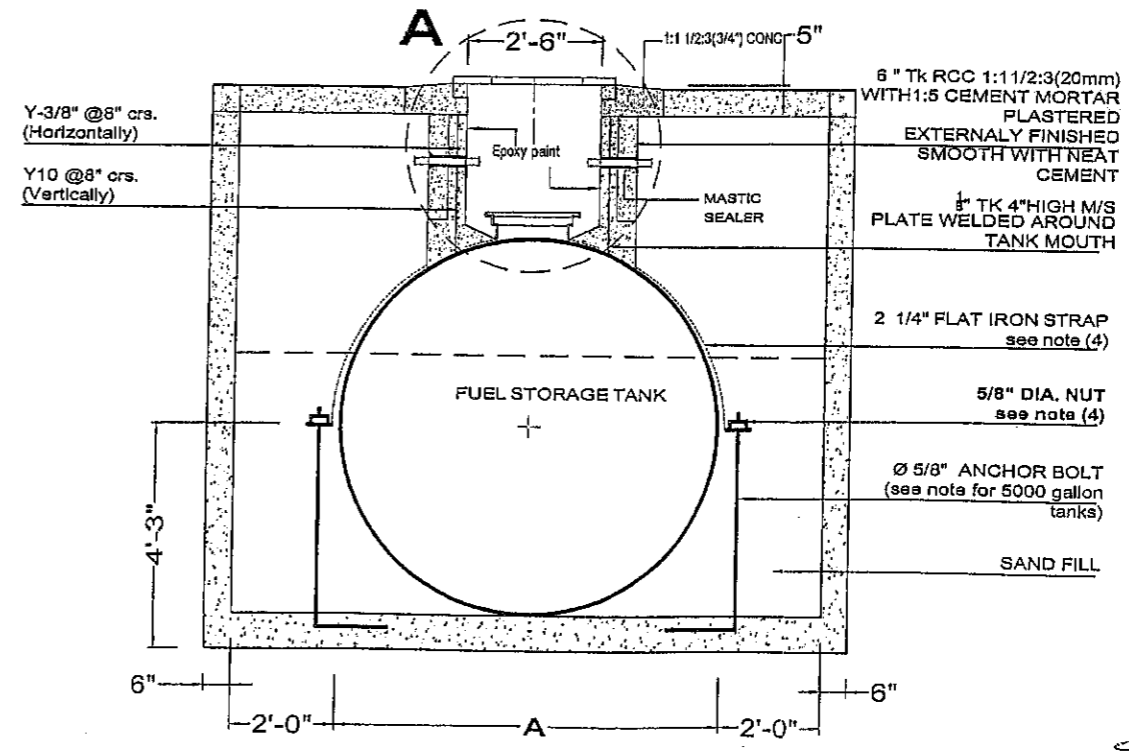
DETAILS AT 'B'



DETAILS AT 'A'



SECTION X-X



SECTION Y-Y

TANK CAPACITY	A	B	E
3000	7'-0"	13'-6"	10'-3"
5000	8'-0"	17'-0"	11'-3"

NOTE (GENERAL)

1. THE NECESSITY OF THE 6" REINFORCED CEMENT CONCRETE YARD SLAB WILL BE DECIDED AT SITE.
2. IF THE YARD IS NOT DONE MANHOLE FRAME SHOULD BE FITTED TO 1'-0" WIDE 6" THICK 1:2:4 (3/4) CEMENT CONCRETE KERBS LAID ON 9" BRICK WORK.
3. FOR 5000 GALLON TANK THE BASE SLAB BE REINFORCED WITH TWO LAYERS (TOP & BOTTOM) OF 3/8" DIA. STEEL BARS AT 9" CENTERS BOTHWAYS.
4. FOR 5000 GALLON TANK 08 NOS. ANCHOR BOLTS AND 04 NOS. STRAPS AT 4'-8" CENTERS BE PROVIDED.
5. MANHOLE AREA TO BE FILLED WITH RIVER SAND.
6. ALL WELDING TO BE CONTINUOUS.
7. ALL STEEL WORK TO BE APPLIED WITH TWO COATS OF ANTI-CORROSIVE PAINT OF APPROVED QUALITY AND COLOR.



ENGINEERING DEPARTMENT
806, DR DANISTER DE SILVA MW
COLOMBO - 09
T.P. NO: 0115455132
FAX NO: 0115455408

TITLE:
INSTALLATION OF 3000 AND 5000 GALLON UNDERGROUND STORAGE TANKS

DRAWING NO: CEYPET/ENG/0511

SCALE: Not to scale DATE: 12-11-2018

DRAWN BY: PRABATH

CHECKED BY: *[Signature]*

APPROVED BY ENGINEERING & PREMISES MANAGER

[Signature]